

**Key:** Builders Hardware

**Door:** Swinging

**Security**

**Level:** Minimum/Medium

# NS400E

## SOLENOID-OPERATED DEADLATCHES

### Description

NS400E Series Deadlatches are pin tumbler, solenoid-operated locks for swinging doors. Specify builders hardware cylinders and keying as follows:

**NS402E & NS402EFS**

**Keyed one side**

**NS406E & NS406EFS**

**Keyed both sides**

Note: See optional features for factory or customer-supplied key cylinders. For models NS400E and NS400EFS, no cylinders are supplied.

### Applications

Specify for minimum/medium security swinging cell, corridor or administration areas of institutions with 2" wide hollow metal jamb construction.

### Operations

A remote switch is used to control the lock electrically, or it may be operated mechanically by builders hardware cylinder. These locks offer the convenience of remote, electric unlocking or locking and automatic deadlocking when the door is closed.

### Fail-Safe Models

**Unlock when solenoid is de-energized (1):** by switch or power failure, and the latch remains retracted while the door is open. Upon closure, with power restored, the latchbolt extends and deadlocks.

### Non-Fail-Safe Models

**Unlock when solenoid is energized (1):** by a momentary-contact switch. Latchbolt remains retracted mechanically

until the door is opened. Upon closure, the latchbolt extends automatically (mechanical latchback).

**Unlock when solenoid is energized (2):** by a momentary-contact switch. Latchbolt is electrically held retracted only as long as control switch is tripped (no mechanical latchback). The door must be opened while control switch is in the unlocked position. Upon closure, the latchbolt deadlocks automatically. Continuous-duty feature is standard to hold bolt retracted for extended periods (no latchback, continuous-duty power modulator).

**Unlock when solenoid is energized (3):** by a momentary-contact switch. Latchbolt is held electrically retracted until door is opened, then it extends automatically (electric holdback).

### Standards Compliance

- **All deadlatch models UL1034** – Burglary-resistant electric deadbolts.
- **Non-fail-safe models, UL10B** – Electrically controlled single point locks or latches, three-hour rating, A label.
- **ASTM F-1577** Grade 1 Impact

### Standard Features

- **Instant solenoid actuation** – Heavy duty solenoid provides fast, audible latchbolt operation.
- **Fail-safe model operation** – Solenoid holds latchbolt extended and deadlocked.
- **Compact size** – Designed for hollow metal frames with standard 2" face.



- **Power modulator** – Allows solenoid models to operate on either 24VAC or 24VDC - reduces power consumption. UL listed and patented (Pat. No. 4,797,779).
- **Two-piece, twelve-pin plug connector** – Simplifies wiring, allows pre-wiring of the lock opening.
- **Heavy duty lock mechanism** – Designed with heavy duty, corrosion-resistant working parts tested over 1,000,000 cycles.
- **Stainless steel strike** – Angled lip-type, furnished with tamper-resistant screws. Requires less force to close and lock the door.
- **Mechanical latchback (Model NS400E-01)** – Holds latchbolt retracted until door opens. Not available in fail-safe models.
- **Mechanical unlocking by key** – Offers manual control at the door in event of power failure or at any other time.
- **Stainless steel latchbolt** – 3/4" throw, hardened to resist sawing.

For more information, please call 210.533.1231.



**Key:** Builders Hardware  
**Door:** Swinging  
**Security Level:** Minimum/Medium

# NS400E

## SOLENOID-OPERATED DEADLATCHES

- **Holdback switch (Models NS400EFS, NS400E with electrical holdback)** – Maintains electrical holdback. Requires a relay in the central control console.
- **Finish** – US32D satin stainless steel.
- **Indication switch** – An internal switch to monitor the positions of the deadlock actuator. Signals deadlocked condition.

### Optional Features

- **Builders hardware cylinders** – High security six-pin tumbler cylinder may be specified. Special keying requests will be accommodated, if possible.

NOTE: Customer-supplied key cylinders may be used to adapt NS400 Series locks to a specific keying system. These cylinders must have:

- 1-5/32" diameter, full bar stock bodies.
- 1-1/8" length, including cam.
- Standard, removable Yale-type cam.

Cylinders and all keys should be sent to Southern Folger Detention Equipment Company and are required with cylinder extenders.

- **Local electric key (LEK)** – Inmate key operates lock electrically. Staff keys always operate the lock manually and can operate it electrically. Feature is enabled or canceled from a remote control console.

NOTE: When key cylinders for LEK are supplied by customer, contact factory before ordering or sending cylinders.

- **Inmate push button** – Allows operation of the lock from inside the room or cell. May be canceled from central control console. A double-pole, double-throw switch is available for additional functions.

- **Key cylinder extension** – Required when lock is keyed on the stop side of the door frame. Five standard lengths are offered:

Jamb Size	Cylinder Extension
4-1/2" – 5"	4-3/4"
5" – 6"	5-3/4"
6" – 7"	6-3/4"
7" – 8"	7-3/4"
8" – 9"	8-3/4"

NOTE: Please specify appropriate cylinder extension length when ordering. Special lengths may be provided for other jamb thicknesses. Contact factory for pricing and availability.

- **Finish** – Key Cylinder: US26D

### Specifications

- **Lock case** – Investment-cast stainless steel.
- **Latchbolt** – Investment-cast stainless steel hardened.
- **Latchbolt throw** – 3/4"
- **Operating lever** – Stainless steel.
- **Deadbolt lever/trigger bolt** – Investment-cast stainless steel.
- **Strike** – Stainless steel stamping, angled lip.

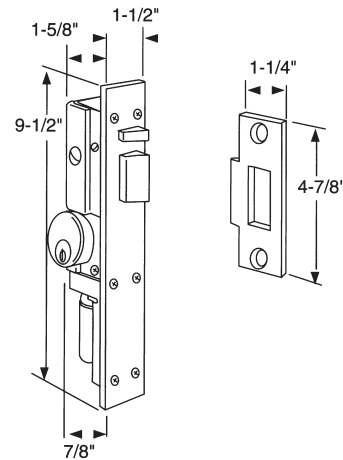
### Electrical Characteristics

- **Solenoid** – Tubular, continuous-duty power modulator.
- **Voltage** – 24 VAC or DC, 3.3 amps, 82 watts inrush; .25 amps 6 watts seated.
- **Indication switch** – SPDT, UL listed.
- **Switch rating** – 5 amp @ 125 or 250 VAC.

### Dimensional Data

Note: Dimensions are for information and planning purposes only, and should not be used as templates.

For complete details, see How to Specify in this section.



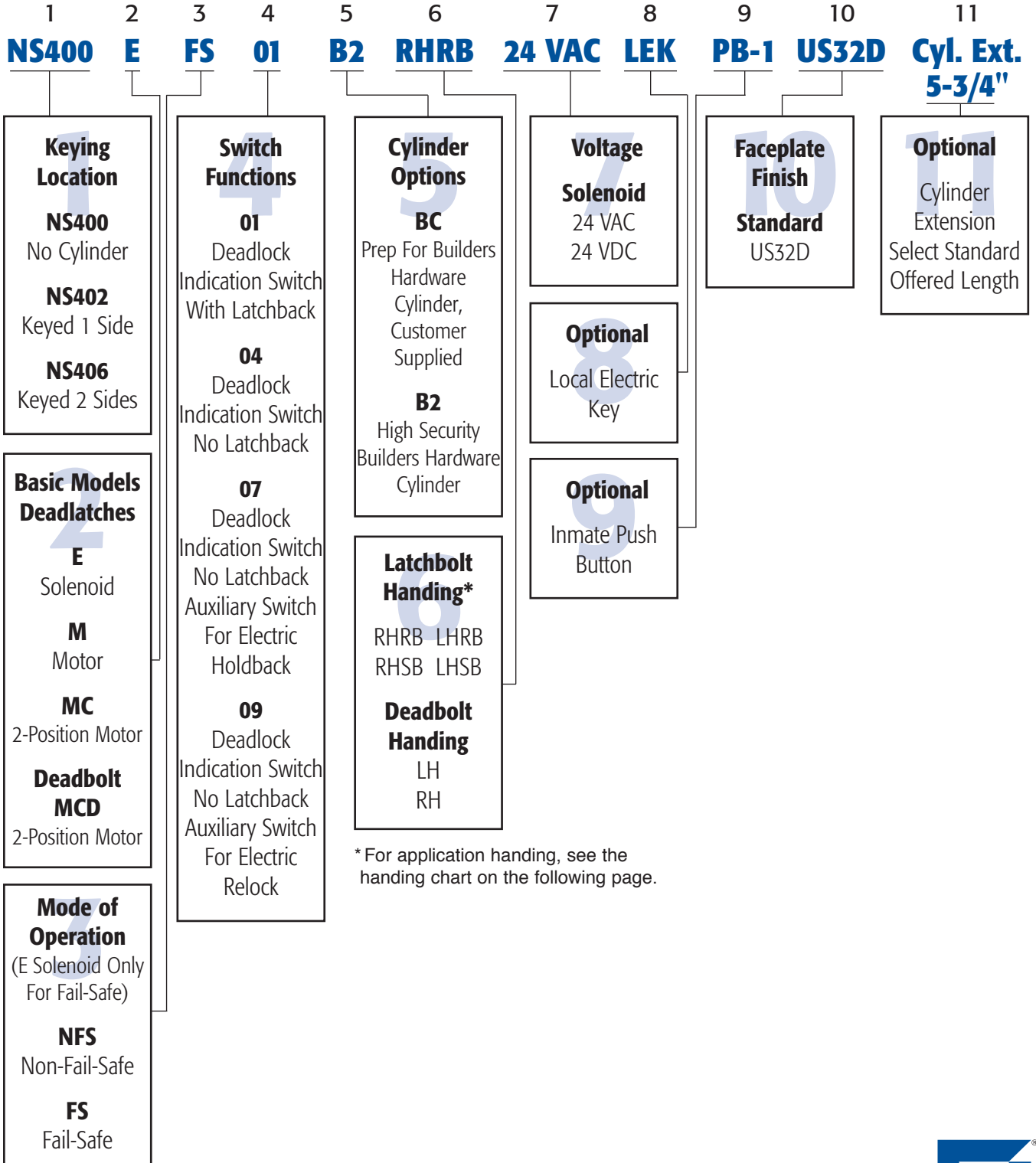
### Feature/Option Chart

MODEL	OPERATION	INDICATION SWITCH	LATCHBACK			OPERATIONAL SWITCH HOLDBACK	LEK OPTION	CONTINUOUS DUTY MODULATOR
			WITH	WITHOUT	ELECTRIC			
NS400E-01	1	•	•				Available	Standard
NS400E-04	2	•		•			Available	Standard
NS400E-07	3	•			•	•	Available	Standard
NS400EFS-04	1	•		•		•	Available	Standard





# HOW TO SPECIFY NS400 SERIES LOCKS



\* For application handing, see the handing chart on the following page.

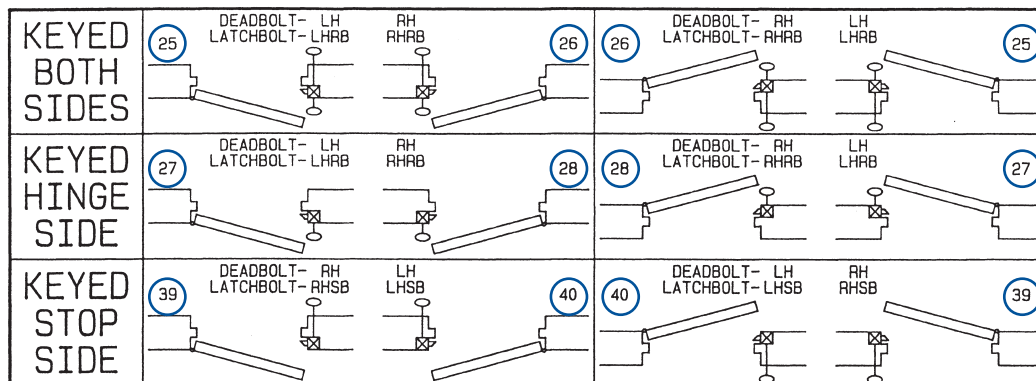
For more information, please call 210.533.1231.





# HOW TO SPECIFY NS400 SERIES LOCKS

Specify circled swing number when ordering.



## LEGEND

- = INDICATES KEYED SIDE (OR SIDES)
- = HOLLOW METAL JAMB
- = SYMBOLIZES LATCHBOLT
- = SYMBOLIZES LOCK CASE

